



SAFE & VAULT MANUFACTURERS



KEY CUSTODY SAFE

WITH KABA X10 DIGITAL LOCK



MODEL GKCI

| Model | Height mm | | Width mm | | Depth mm | | Weight |
|-------------|-----------|----------|----------|----------|----------|----------|--------|
| | External | Internal | External | Internal | External | Internal | |
| GKCI | 160 | 130 | 250 | 230 | 150 | 82 | 15kg |

IMPORTANT Allow 50mm projection for handle on depth measurement.



ALL CMI SAFES COME WITH A FIVE YEAR WARRANTY, EXCLUDING FREIGHT AND TRAVELLING, WITH A 24 MONTH WARRANTY ON LOCKS.

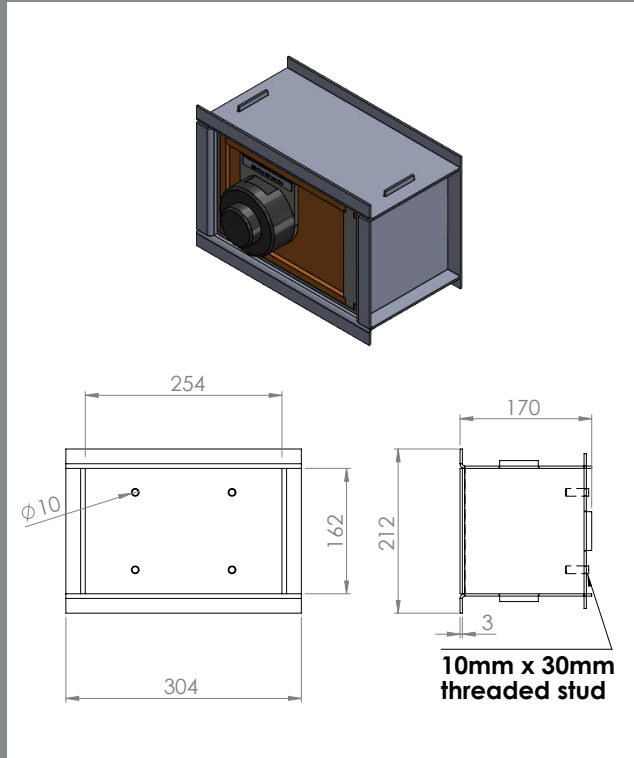


Class B SCEC Key Custody Safe has **NIL** fire resistance



MADE IN AUSTRALIA

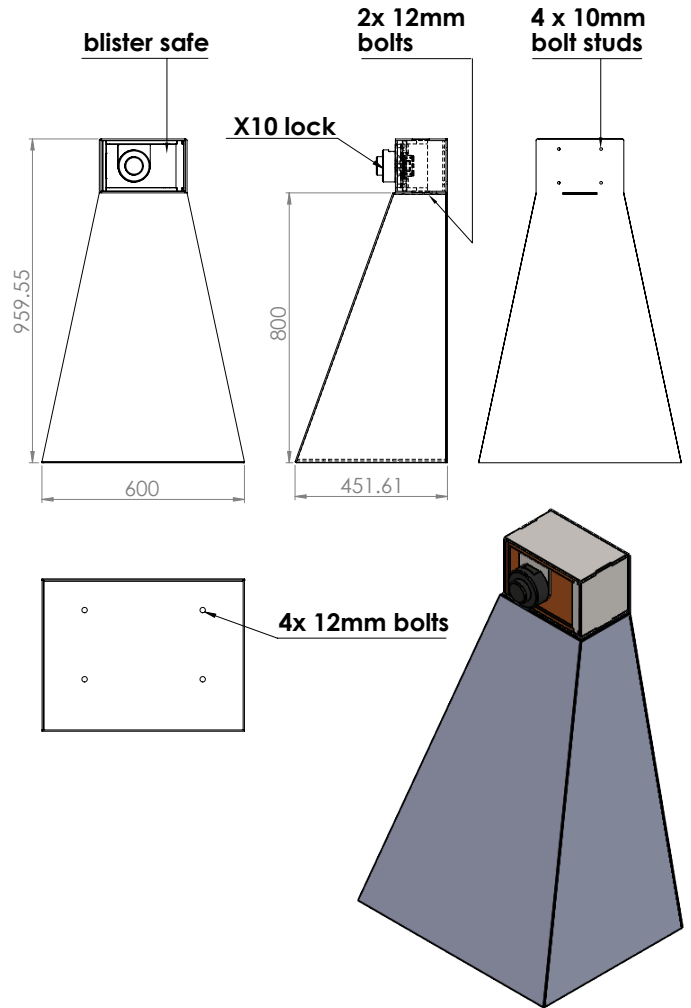
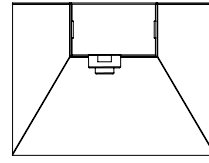
BLISTER SLEEVE



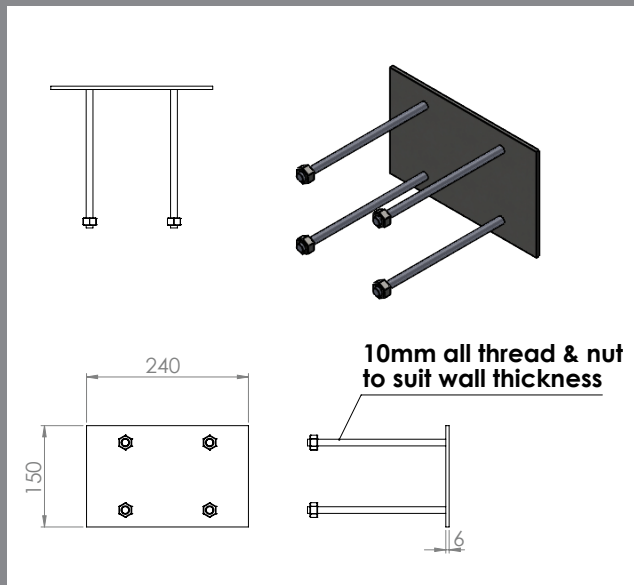
BLISTER STAND

Note :

- Stand 800mm(H) secured by 4x 12mm bolts to floor
- Blister secured by 4x 10mm stud and nuts back of safe and 2 x12mm bolts in base



BLISTER WALL MOUNT PLATE



CMI Safe Co
ABN | 35 664 874 766

☎ 02 9547 1488
✉ sales@cmisafe.com.au

📍 244 West St | Carlton | NSW | 2218
🌐 www.cmisafe.com.au



MADE IN AUSTRALIA

CD DZ 00303 191024